



COUPLER SERIES

FIT. PERFORMANCE. PRICE.

For confident performance, choose a keg coupler designed by the same manufacturer that supplies over 90% of the world's valves.



7485SS

BREWERY-GRADE

For all beers, wines and ciders. Durable construction featuring 304 grade stainless steel body and probe, and stainless steel handle fork.



7485BS

BEST

For all beers, wines and ciders. Featuring 304 grade stainless steel probe, chrome-plated forged brass body, and stainless steel handle fork.



7485BB

VALUE

Rugged construction featuring chrome-plated forged brass body and probe, and stainless steel handle fork. Four handle colors for identification.



D SYSTEM

VALUE COUPLER

Rugged construction featuring chrome-plated forged brass body, probe and stainless steel handle fork.
Use for: Beer

PART NO.	PROBE	BODY	HANDLE	SYSTEM
7485BB	Brass	Brass	Black	D
7485BB-B	Brass	Brass	Blue	D
7485BB-G	Brass	Brass	Gold	D
7485BB-R	Brass	Brass	Red	D

BEST COUPLER

Featuring 304 grade stainless steel probe, chrome-plated forged brass body and stainless steel handle fork.
Use for: Beer, wine, cider

PART NO.	PROBE	BODY	HANDLE	SYSTEM
7485BS	304 SS	Brass	Black	D

BREWERY-GRADE COUPLER

Durable construction featuring 304 grade stainless steel body, probe and handle fork.
Use for: Beer, wine, cider

PART NO.	PROBE	BODY	HANDLE	SYSTEM
7485SS	304 SS	304 SS	Gray	D



LOW PROFILE COUPLER

Stainless steel body and probe. Use for: All beers, wine, cider

PART NO.	DESCRIPTION	PROBE	SYSTEM
MM-LPC-D	Low-profile coupler	304 SS	D



REPLACEMENT PARTS

ITEM	PART NO.	DESCRIPTION
	401-108	Swivel elbow 304 stainless steel
1	102-524	Check ball retainer
2	102-527	Check ball
3	733-382	Brass probe (D System)
3	3739-304	304 stainless steel probe (D System)
3A	733-383	Probe (S System)
4	102-376	Probe seal (D System)
4A	102-522	Probe seal (S System)
5	403-014	Black handle assembly
5	403-013	Yellow handle assembly
5	403-012	Red handle assembly
5	403-011	Blue handle assembly
6	733-363	Hinge pin
7	733-040	Pressure relief valve assembly
8	102-521	Body washer
9	404-321	Hose nipple
11	102-530	Check valve
12	102-526	Body o-rings (two required)

ACCESSORIES

PART NO.	DESCRIPTION
FT101L	Probe and o-ring lubricant. FDA listed. Odorless and tasteless. 1 oz can.



D SYSTEM

7485BB



7485BS
304 contact



7485SS
304 stainless steel



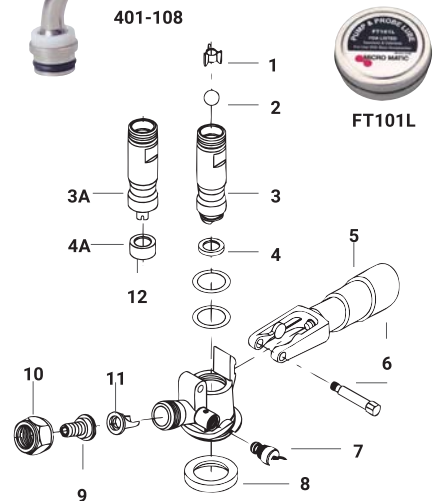
7485BB-R



MM-LPC-D



401-108



FT101L

7485BB, 7485BS, 7485SS D System and 7486BB, 7486BS, 7486SS S System Couplers